

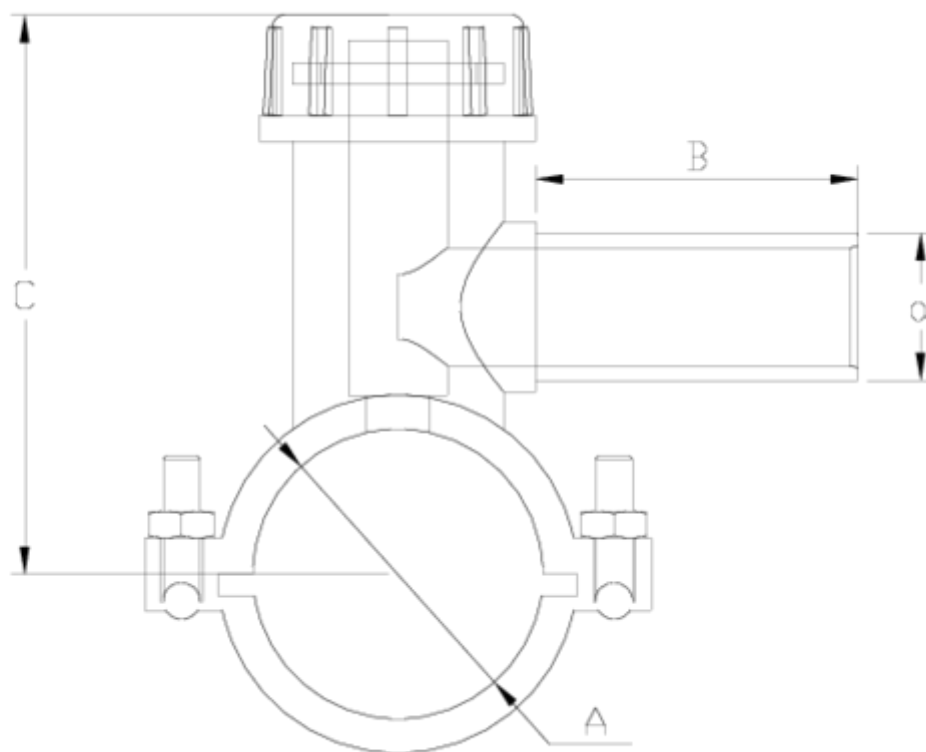


Electrofusion fittings/Welding fittings

Charged connection 360° ITEM 423

Ref.	Description	Net Weight	Vol. (m ³)	Gross Weight	Units Box
1019240	CHARGED CONNECTION 360° 63-32	0.232	0.02244	1.88	6
1019241	CHARGED CONNECTION 360° 63-63	1.423	0.03129	7.69	5
1019242	CHARGED CONNECTION 360° 90-32	0.646	0.02244	2.48	3
1019243	CHARGED CONNECTION 360° 90-63	1.501	0.03129	8.08	5
1019244	CHARGED CONNECTION 360° 110-32	0.841	0.02244	3.01	3
1019245	CHARGED CONNECTION 360° 110-63	1.142	0.02244	3.92	3





ITEM 423 | Charged connection 360°

Código	f tubo-A-a	Peso (g)	B	C	PN	MEDIDA
19157	63-32	715	35	94	PN16	MÉTRICO
19158	63-63	1455	54	94	PN16	MÉTRICO
19159	90-32	801	35	115	PN16	MÉTRICO
19160	90-63	1541	54	115	PN16	MÉTRICO
19161	110-32	860	35	125	PN16	MÉTRICO
19162	110-63	1590	54	125	PN16	MÉTRICO



PRODUCT DOCUMENTS



PRODUCT CERTIFICATES

COMPANY CERTIFICATES

