

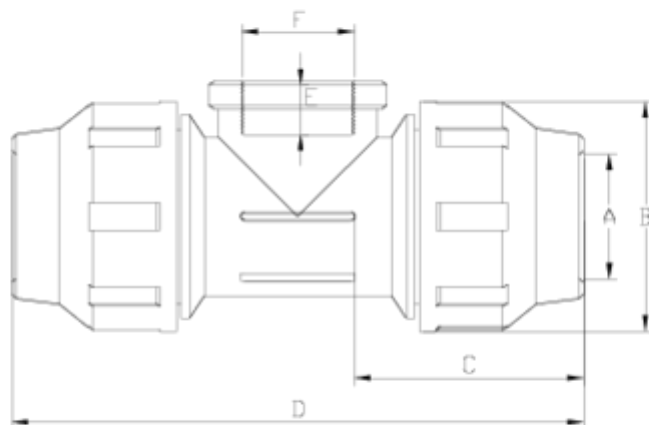


Raccords PP sous pression

Té sortie taraudée renforcée ITEM 111

Réf.	Description	P. Net	Vol. (m ³)	P. Brut	Lot
1012118	TE FEMALE FILETE RENF.20-1/2"	0.103	0.04117	9.93	90
1012179	TE FEMALE FILETE RENF.20-3/4"	0.104	0.03129	9.92	90
1012180	TE FEMALE FILETE RENF.25-1/2"	0.160	0.04717	11.90	70
1012119	TE FEMALE FILETE RENF.25-3/4"	0.158	0.04717	11.69	70
1012181	TE FEMALE FILETE RENF.32-1/2"	0.229	0.04460	12.26	50
1012182	TE FEMALE FILETE RENF.32-3/4"	0.228	0.04460	12.11	50
1012120	TE FEMALE FILETE RENF.32-1"	0.225	0.04836	11.91	50
1012121	TE FEMALE FILETE RENF.40-1 1/4"	0.416	0.04880	14.73	34
1012122	TE FEMALE FILETE RENF.50-1 1/2"	0.627	0.04460	13.27	20
1012127	TE FEMALE FILETE RENF.50-2"	0.645	0.04460	11.05	16
1012123	TE FEMALE FILETE RENF.63-2"	1.137	0.04836	14.31	12
1012124	TE, TARAUDE RENF.75-2 1/2"	1.782	0.06150	16.96	9
1012125	TE, TARAUDE RENF.90-3"	3.042	0.04836	12.84	4
1012126	TE FEMALE FILETE RENF.110-4"	4.176	0.04460	9.32	2





ITEM 111 | Té sortie taraudée renforcée

Código	f tubo - F	Peso (g)	A	B	C	D	E	PN	TIPO ROSCA
12118	20 - 1/2"	107	21	46	58	137	17	PN16	BSP
12179	20 - 3/4"	106	21	46	58	137	19	PN16	BSP
12180	25 - 1/2"	165	26	55	66	156	17	PN16	BSP
12119	25 - 3/4"	160	26	55	66	156	20	PN16	BSP
12181	32 - 1/2"	236	33	64	71	170	17	PN16	BSP
12182	32 - 3/4"	231	33	64	71	170	21	PN16	BSP
12120	32 - 1"	228	33	64	71	170	23	PN16	BSP
12121	40 - 1 1/4"	372	42	76	84	208	25	PN16	BSP
12122	50 - 1 1/2"	590	51	91	93	235	25	PN16	BSP
12127	50 - 2"	626	51	91	93	235	29	PN16	BSP



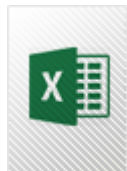
ITEM 111 | Té sortie taraudée renforcée

12123	63 - 2"	966	64	109	113	274	29	PN16	BSP
12124	75 - 2 1/2"	1721	77	133	132	344	33	PN10	BSP
12125	90 - 3"	2790	92	159	162	416	41	PN10	BSP
12126	110 - 4"	4070	112	183	167	465	45	PN10	BSP





DOCUMENTS PRODUIT



CERTIFICATS DE PRODUIT

CERTIFICATS D'ENTREPRISE

