

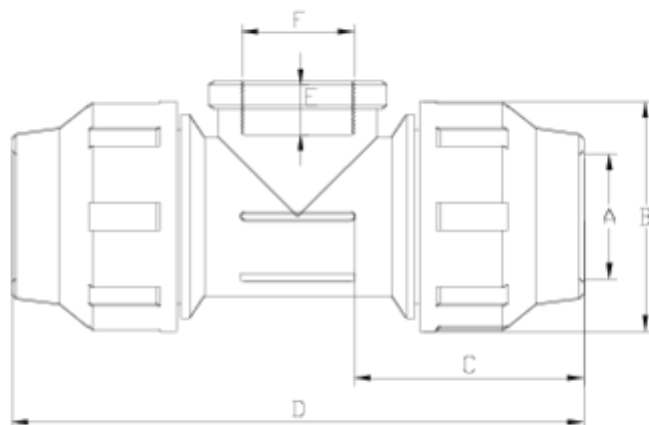


PP pressure fittings

Tee, female threaded outlet ITEM 110

Ref.	Description	Net Weight	Vol. (m ³)	Gross Weight	Units Box
1012057	TEE,FEMALE THREAD 20-1/2"	0.096	0.04117	9.26	90
1012149	TEE,FEMALE THREAD 20-3/4"	0.098	0.03129	9.36	90
1012150	TEE FEMALE THREAD 25-1/2"	0.155	0.04717	11.47	70
1012058	TEE,FEMALE THREAD 25-3/4"	0.153	0.04717	11.34	70
1012151	TEE FEMALE THREAD 32-1/2"	0.231	0.04460	12.26	50
1012152	TEE FEMALE THREAD 32-3/4"	0.225	0.04460	12.00	50
1012059	TEE,FEMALE THREAD 32-1"	0.219	0.04836	11.63	50
1012060	TEE,FEMALE THREAD 40-1 1/4"	0.387	0.04880	13.72	34
1012061	TEE,FEMALE THREAD 50-1 1/2"	0.608	0.04460	12.89	20
1012063	TEE,FEMALE THREAD 50-2"	0.643	0.04460	11.02	16
1012062	TEE,FEMALE THREAD 63-2"	1.110	0.04836	13.99	12





ITEM 110 | Tee, female threaded outlet

Código	f tubo - F	Peso (g)	A	B	C	D	E	PN	TIPO ROSCA
12057	20 - 1/2"	96	21	46	58	137	17	PN16	BSP
12149	20 - 3/4"	95	21	46	58	137	19	PN16	BSP
12150	25 - 1/2"	154	26	55	66	156	17	PN16	BSP
12058	25 - 3/4"	149	26	55	66	156	20	PN16	BSP
12151	32 - 1/2"	227	33	64	71	170	17	PN16	BSP
12152	32 - 3/4"	223	33	64	71	170	21	PN16	BSP
12059	32 - 1"	220	33	64	71	170	23	PN16	BSP
12060	40 - 1 1/4"	350	42	76	84	208	25	PN16	BSP
12061	50 - 1 1/2"	564	51	91	93	235	25	PN16	BSP
12063	50 - 2"	612	51	91	93	235	29	PN16	BSP



ITEM 110 | Tee, female threaded outlet

12062	63 - 2"	952	64	109	113	274	29	PN16	BSP
12124	75 - 2 1/2"	1721	77	133	132	344	33	PN10	BSP
12125	90 - 3"	2790	92	159	162	416	41	PN10	BSP
12126	110 - 4"	4070	112	183	167	465	45	PN10	BSP



PRODUCT DOCUMENTS



PRODUCT CERTIFICATES

COMPANY CERTIFICATES

